

## MC 270

## High Security Contact, NC

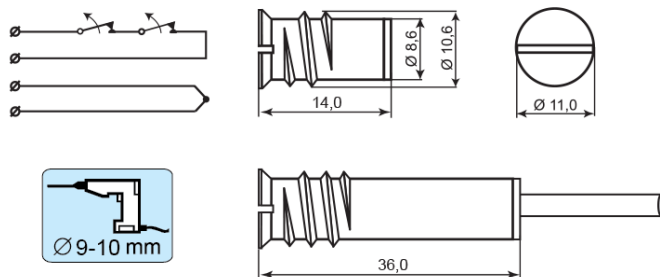


## Technical data

Installation method	Recessed mounting
Contact function	Normally Closed (NC)
Approvals	EN 50131-2-6 Grade 3, Class IIIA, VdS G 197063 Class C, INCERT B-582-0013, SBSC 9-205, Class 3/4, NBU-T02-21/2018
Contact rating	48 VDC / 500 mA / 10 VA
Drill diameter mm	9-10
Magnet type	Neodymium (NdFeB)
Mounting on steel	Only with accessories
Make distance (wood) mm	16
Sabotage distance (wood) mm	5
Make distance (metal) mm	Depending from the accessories used
Tamper protection	Yes
Connection	Cable
Housing material	Al-alloy
Operating temperature range	-40°C - +70°C
Housing protection class	IP 67
Contact dimensions (L x Ø) mm	37 x 11
Magnet dimensions (L x Ø) mm	14 x 11




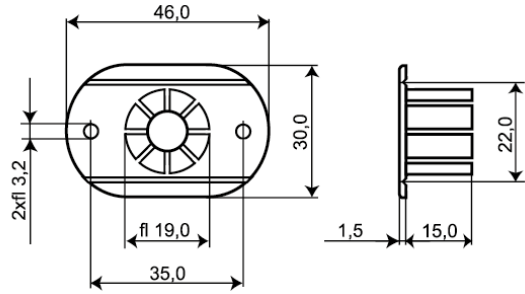
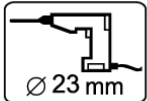

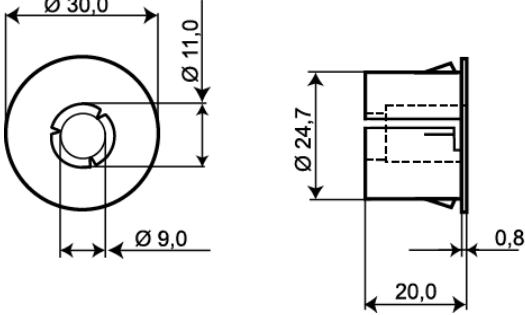
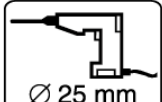

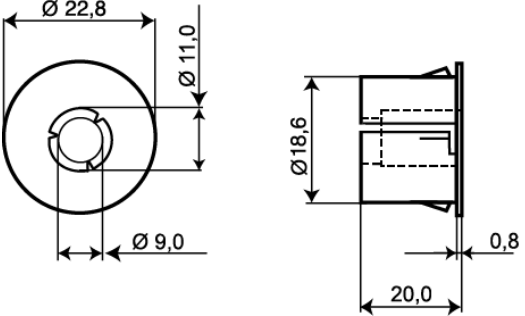
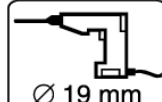
MC 270 is a universal magnetic contact with NC function for high security systems that can be used both in alarm and access control systems for monitoring e.g. doors and windows against unauthorized opening. The contact is specially designed for use in banks, museums, art galleries, stores, etc. Both the contact and the magnet part are made of Al-alloy and formed in the shape of a threaded screw, which enables easy installation into wood or plastic. With our extensive range of installation accessories it is easy to install the contact either recessed or as a surface mount on metal and other materials. Contact and magnet are paired. To ensure proper functionality, do not replace the contact or magnet alone. With appropriate accessories, the contact can even be installed in steel doors, safety valves, garage doors, etc. The contact part is sealed with special epoxy, making it water resistant.



## ORDERING INFORMATION

Model	Description
MC 270	Recessed high security contact, NC, 2 m cable
MC 270-6	Recessed high security contact, NC, 6 m cable
MC 270-10	Recessed high security contact, NC, 10 m cable

## Related products and accessories

	<p><b>MC 200-S11</b></p> <p>Plastic Flange for MC 240, 246, 247, 250, 255, 270, 272, 275</p>		 <p>Ø 23 mm</p>
	<p><b>MC 200-S21</b></p> <p>Plastic Snap-in Flange for MC 240, 246, 247, 250, 255, 270, 272, 275</p>		 <p>Ø 25 mm</p>
	<p><b>MC 200-S31</b></p> <p>Plastic Snap-in Flange for MC 240, 246, 247, 250, 255, 270, 272, 275</p>		 <p>Ø 19 mm</p>